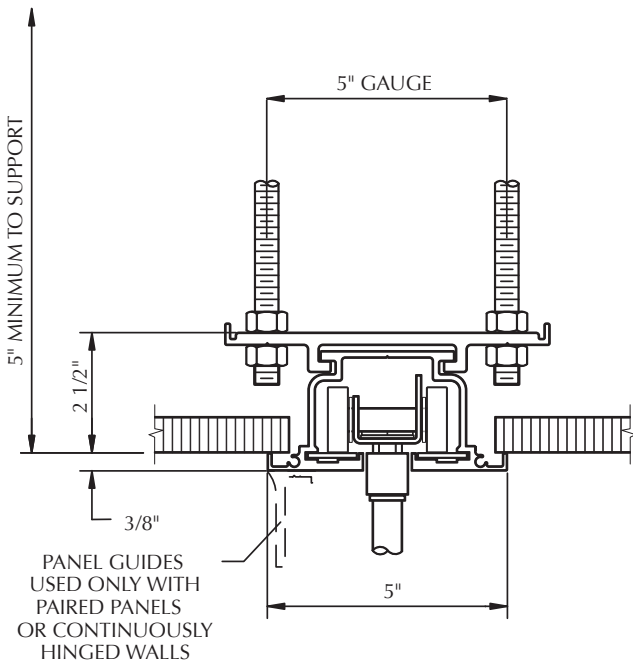


2|TRACK| COMPOSITE TRACK STEEL RUNNING SURFACE



2 YEAR WARRANTY

#2 Track is intended for straight runs with Paired panels, or using curves, "y"s, or switches for remotely stored INDIVIDUAL panels.

For use with Panels not exceeding 20' in height.

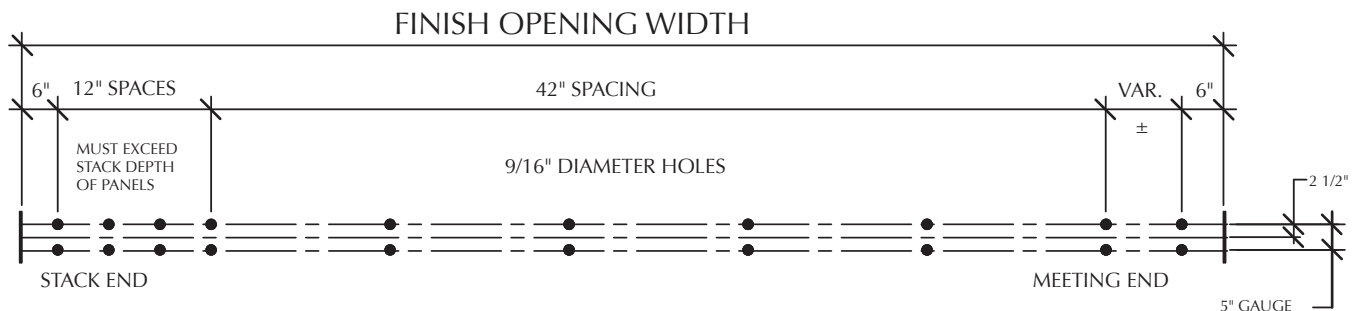
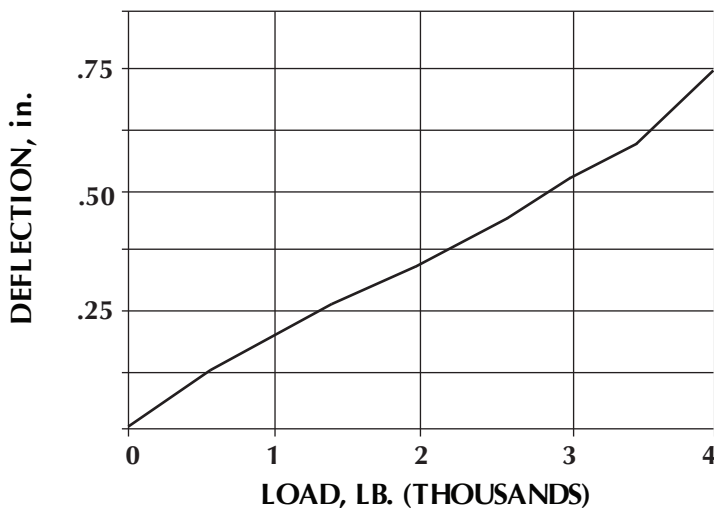
Maximum trolley load is 600 pounds.

SPECIFICATIONS: Suspension system shall include Advanced #2 composite track consisting of extruded aluminum case and steel running surface. Aluminum alloy track brackets shall interlock with top flange of track and be spaced to limit local track deflection to 0.09 inches. Bracket spacing not to exceed 48" O.C. Brackets attach to structure with pairs of 1/2 inch diameter steel hanger rods. Approximate weight of track is 6.0 #/Lin. Ft.

TRACK: Track shall have minimum of 2.07 inch-to-the-fourth Moment of Inertia. Independent testing laboratory results shall be supplied to the architect upon request showing that a track/trolley/bracket/hanger rod assembly sustains a load of 3,000 pounds at mid-point of 42-inch simple span without damage.

TROLLEYS: Trolleys to have four all-steel wheels with sealed pre-lubricated ball bearings. Pendant bolt to be steel with minimum 5/8" diameter and attached to panel through a steel plate mounted internally within panel frame. Individual trolley capacity is 600 pounds.

LOAD vs DEFLECTION



HANGER ROD SPACING TEMPLATE