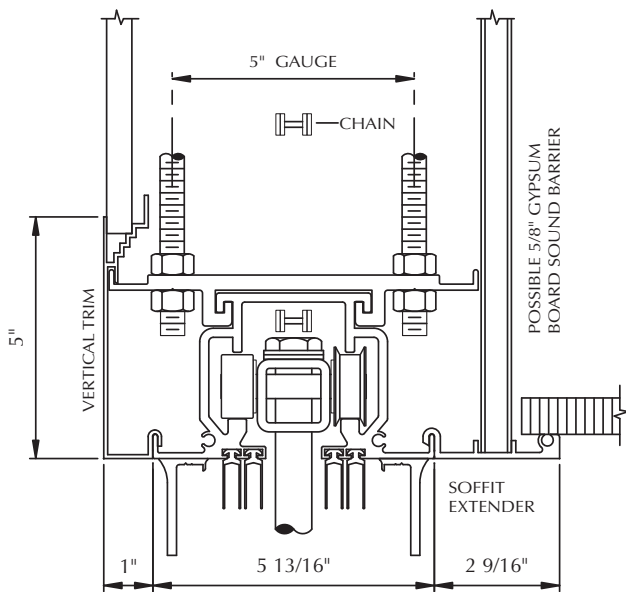
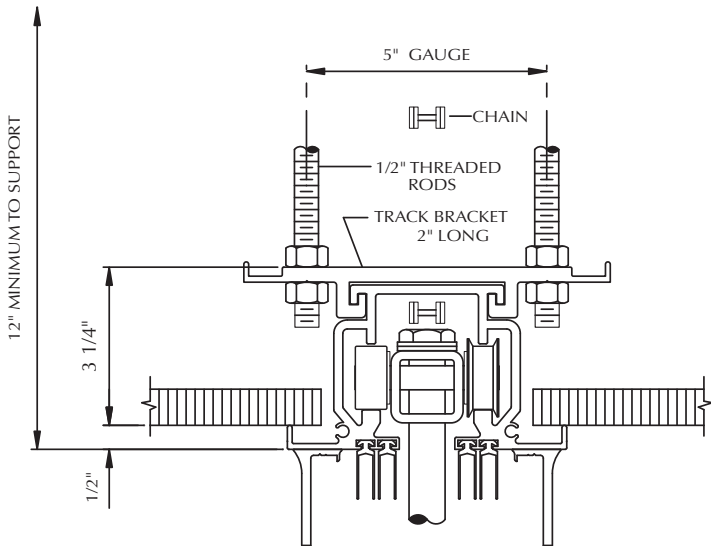
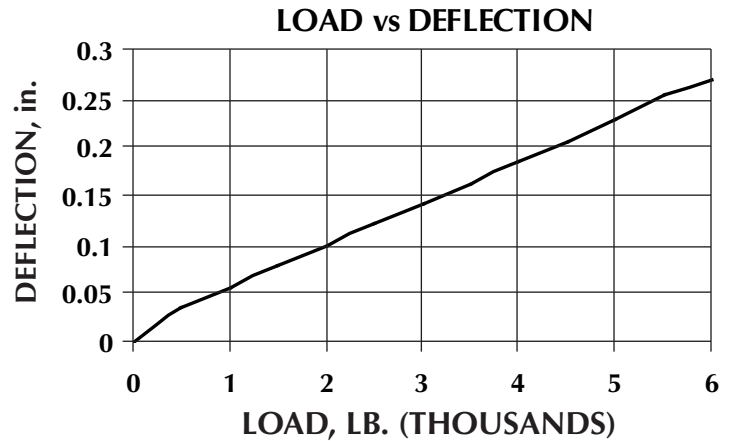


1 | TRACK | CONTINUOUS ALUMINUM TRACK



#1 track is one of several track systems suitable for electric operation. Selection is based on trolley load. Maximum trolley load is 800 pounds.

2 YEAR LIMITED WARRANTY



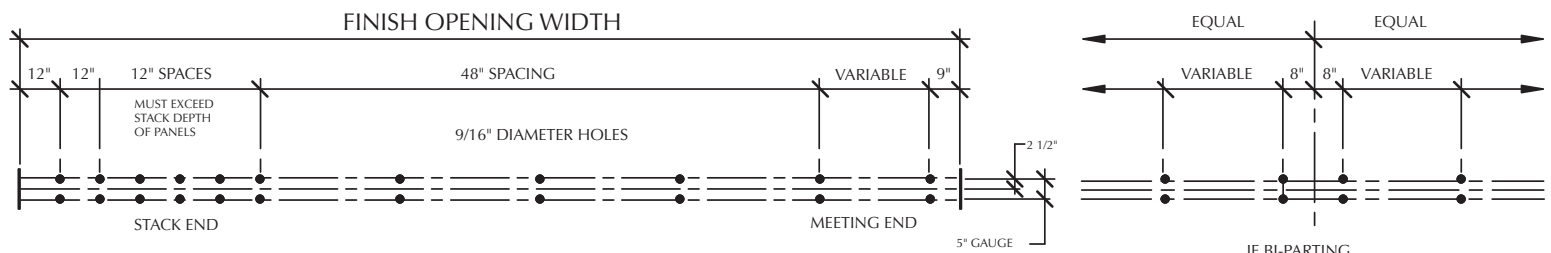
SPECIFICATIONS

Suspension system shall include Advanced #1 aluminum alloy track incorporating soffit trim and seal retainers. Track brackets interlock top flange and attach to structure with pairs of 1/2 inch diameter steel hanger rods. Approximate weight of track assembly is 7.5#/Lin. Ft.

TRACK: Track shall have minimum 6 inch-to-the-fourth moment of inertia. Provide test report from nationally recognized independent laboratory showing track/trolley/bracket/hanger rod assembly sustains a load of 6,000 pounds at mid point of 36 inch simple span without damage.

TROLLEYS: Trolleys to have four all-steel wheels 1 5/16 inch diameter with ball bearing and thrust type roller bearings, shielded and pre-lubricated. Wheels to be independently replaceable. Pendant bolt to be 3/4 inch diameter and attach to panel through a steel plate mounted internally within panel frame. Individual trolley capacity is 800 pounds.

ELECTRO-MECHANICAL EQUIPMENT: 208/240V 3 phase (or 115/230V single-phase) operator designed to move the wall at approximately 24 FPM, with auto-reset overload relays, limit switches and key actuated control switch, transformer for 24V control circuits. Gears operate in oil bath. Drive shall include steel roller chain, torque limit clutch, and motor mounted electric brake. Brake must be provided to prevent "coasting" and ensure repeatable and accurate travel limits.



HANGER ROD SPACING TEMPLATE