

GAMMA[®] SERIES

N PANEL CONSTRUCTION



GAMMA™

SIMPLY THE BEST AVAILABLE MID-PRICE RANGE OPERABLE WALL.

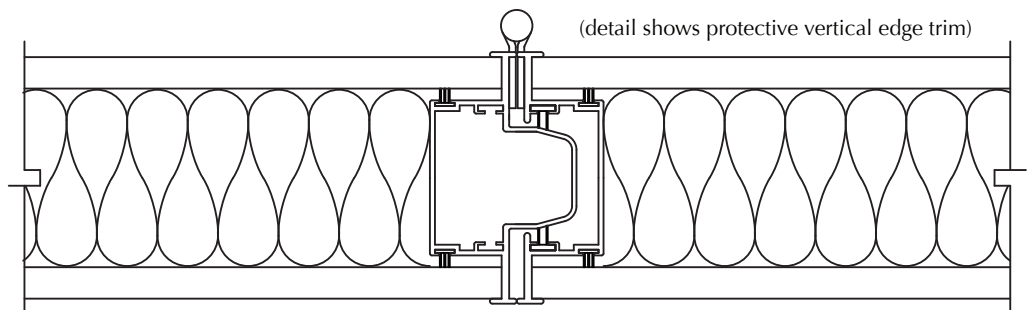
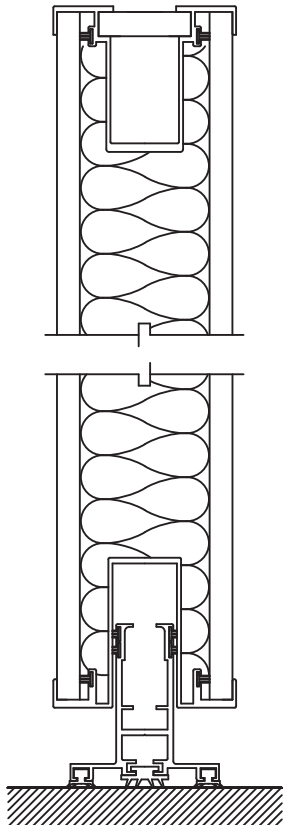
- **SUPERIOR SOUND STOPPING ABILITY.**
- **GREATER STRENGTH AND DURABILITY.**
- **DISCREET AND EFFECTIVE PROTECTIVE EDGE TRIM.**
Saves the otherwise vulnerable exposed finish on corners of “wrap-around” and “trimless” designs.

MANUAL OPERATION.

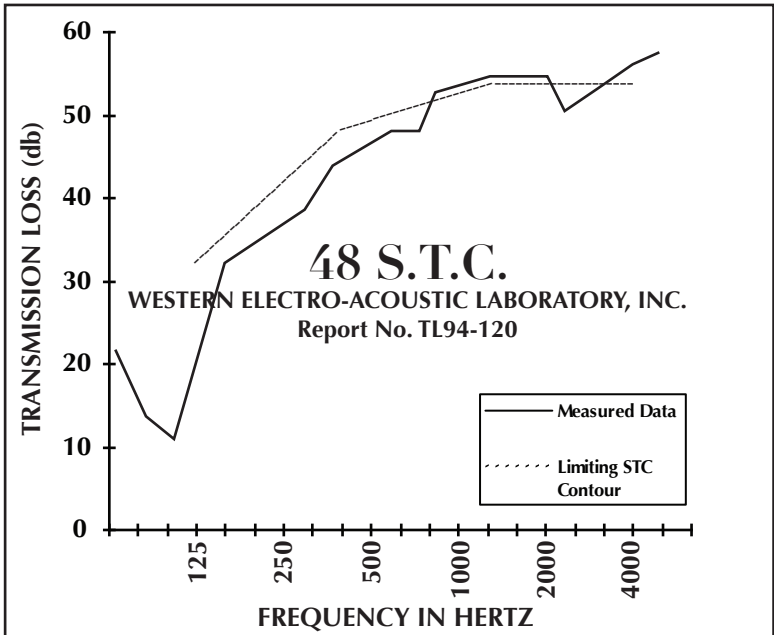
PANEL HEIGHT: 16' max.

PANEL WIDTH: 48" max. but do not exceed width of finish fabric.

PANEL WEIGHT: 6.8 pounds per square foot.



38 N.I.C.
GUARANTEED WHEN SPECIFIED
 TESTED IN ACCORDANCE WITH ASTM E336-05.
 40 N.I.C. IN ACCORDANCE WITH ASTM E336-97



SPECIFICATIONS

PANEL CONSTRUCTION: Acoustical panel, approx. 3 7/8" thick, shall have incombustible rigid faces. Core shall be fibrous glass sound attenuating material. Panel perimeter of nominal 1/8" thick aluminum alloy shall incorporate protective edge feature. Tongue and groove vertical intersection shall incorporate multi-fin acoustical gaskets. No fasteners shall be visible on panel face when wall is in extended position.

TEST DATA: Sound transmission class (S.T.C.) 48 when tested in accordance with ASTM E90-90 in NSA accredited independent laboratory.